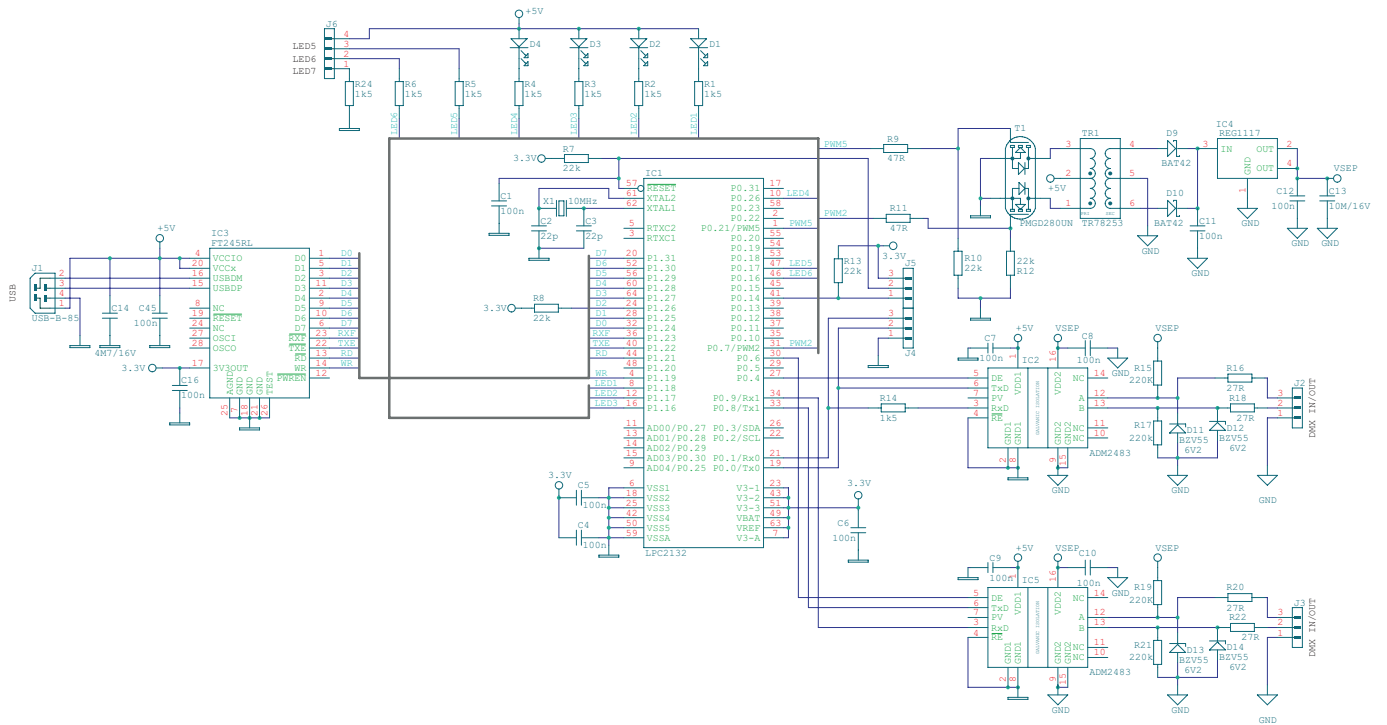


PRODUCT: DreamBox		
TITLE: WIRING DIAGRAM		
DOCUMENT: WIRING DIAGRAM E1 V1.0		
VERSION: A	DATE: 16.6.2008	SHEET: 1 OF 2



PRODUCT: DreamBox		
TITLE: RB1595		
DOCUMENT: CIRCUIT DIAGRAM		
VERSION: A	DATE: 16.6.2008	SHEET: 2 OF 2